

NOTES

X No. REQUIRED

GLAZING SPECIFICATION:

OUTER SKIN: 6mm CLEAR TOUGHENED GLASS
WITH SANDBLAST BORDER TO FACE 2 OR PAINT

CAVITY: 16mm ARGON FILLED + WARM EDGE SPACER

INNER SKIN: 6mm CLEAR HST TOUGHENED GLASS
WITH LOW-E COATING TO CAVITY FACE

SILICONE BONDED

ROOFLIGHT WEIGHT = 43 kg/m²

STANDARD DESIGN LOAD = 750 N/m². (Please inform us if you require a higher load for wind etc.)

BORDER SHOWN AS STANDARD TO COVER GLAZING FRAME.
OTHER DIMS AVAILABLE UPON REQUEST. PAINT OPTION AVAILABLE ON TOUGHENED TOUGHENED DGU'S ONLY.

LIGHT TRANSMISSION = 78%

SOLAR G VALUE = 0.63

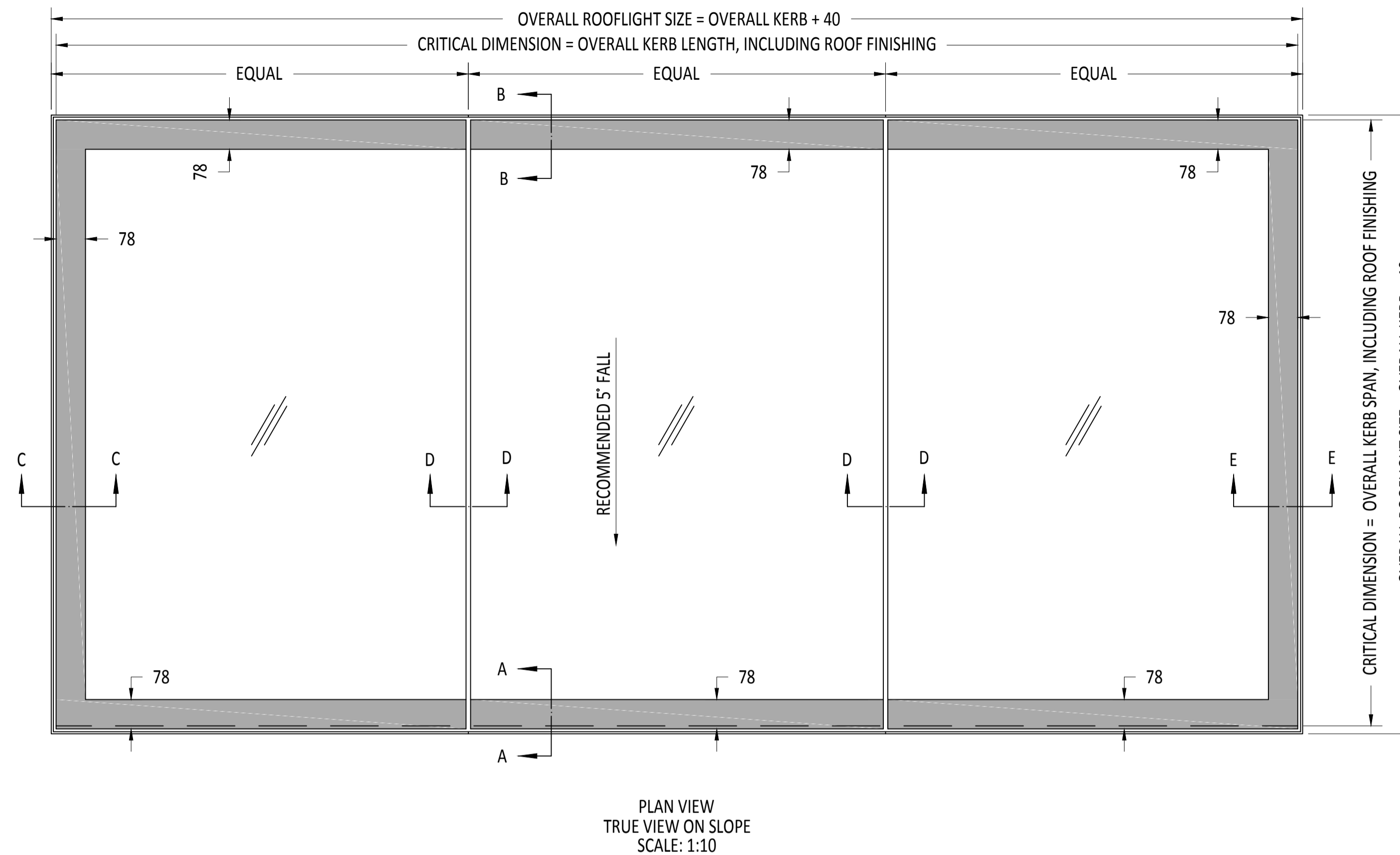
ACOUSTIC = 34 Rw dB

CENTRE PANE U VALUE = 1.1W/m².K

PRODUCT U VALUE = AS LOW AS 1.3 W/m².K

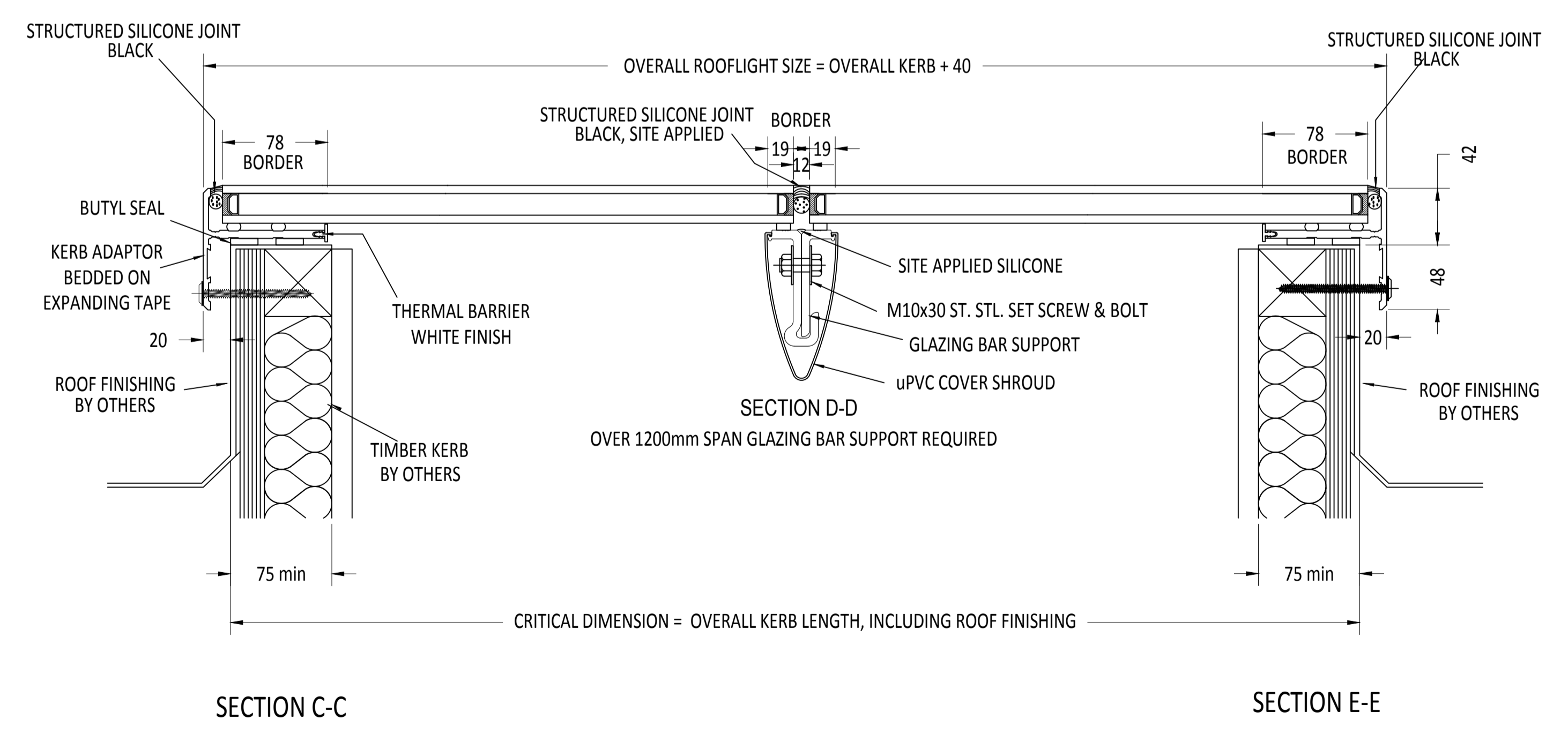
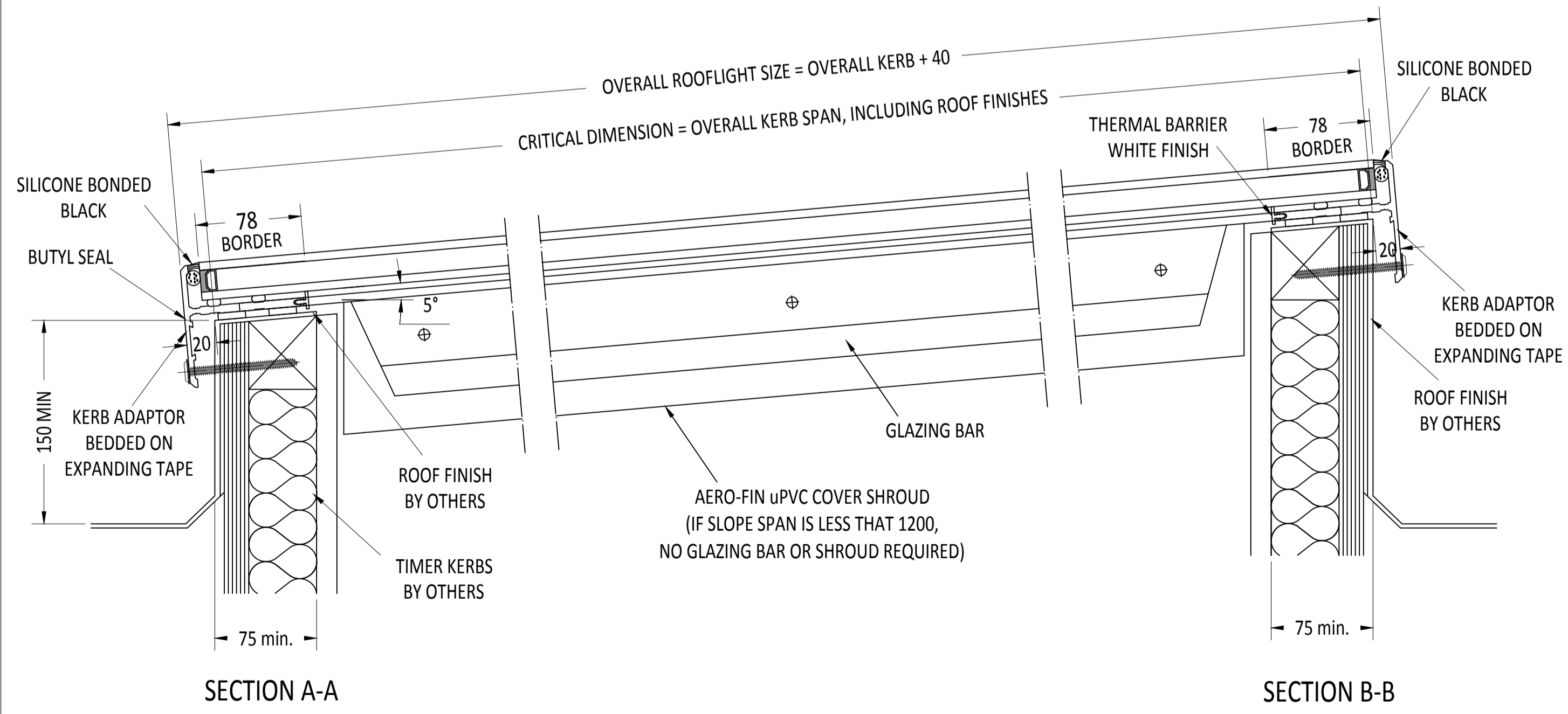
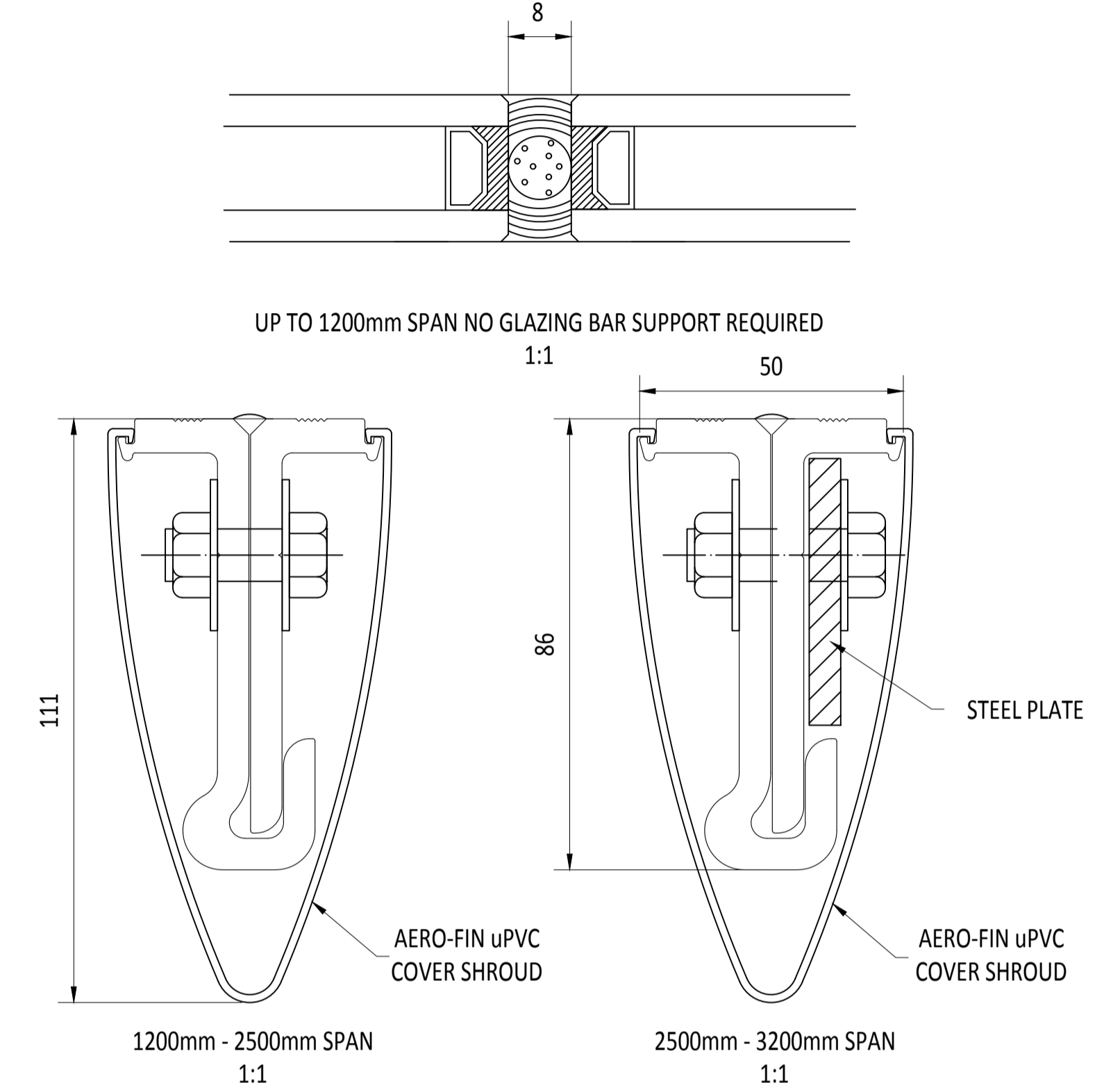
DIMENSIONS SHOWN DOWN THE SLOPE KERB DETAILS SHOWN INDICATIVE DETAILED DESIGN BY OTHERS.

IF KERBS ARE MORE THAN 130mm THICK INCLUDING FINISHES, AN AIR CIRCULATION GAP MUST BE USED TO AVOID HEAT BUILD UP UNDER ANNEALED LAMINATED GLASS.



KERB DETAILS SHOWN INDICATIVE ONLY. DETAILED DESIGN BY OTHERS

CDM : HAZARD IDENTIFICATION - HANDLING MATERIALS
BE AWARE OF SHARP EDGES AND CORNERS WHEN HANDLING MATERIALS. MOST EDGES AND CORNERS WILL BE DEBURROD BUT THERE IS STILL A SMALL RISK. WEAR APPROPRIATE PPE REQUIRED FOR THE TASK. THE MHOR 1992 SET OUT A CLEAR RANKING OF MEASURES FOR DEALING WITH RISKS FROM MANUAL HANDLING. THESE ARE:
 • **FIRST** - AVOID HAZARDOUS MANUAL HANDLING OPERATIONS SO FAR AS IS REASONABLY PRACTICABLE;
 • **SECOND** - ASSESS ANY HAZARDOUS MANUAL HANDLING OPERATIONS THAT CANNOT BE AVOIDED; AND
 • **THIRD** - REDUCE THE RISK OF INJURY SO FAR AS IS REASONABLY PRACTICABLE.
 HAZARD PROTECTION (MANDATORY) TO BS EN 388:1994
 ROOFLIGHTS MUST ONLY BE INSTALLED BY COMPETENT CONTRACTORS.
 DANGER OF DAMAGING GLASS IF IT IS WALKED UPON. GLASS IS CLASSIFIED AS NON-FRAGILE BUT SHOULD NOT BE WALKED ON. USE SPREADER BOARDS.
 REFER TO RISK ASSESSMENT FOR FURTHER DETAILS.



IF IN DOUBT ASK DO NOT SCALE	IT IS THE RESPONSIBILITY OF THE KERB DESIGNER TO ENSURE THE KERB WILL BE STRUCTURALLY ADEQUATE TO HOLD THE ROOFLIGHT. KERBS SHOWN ON THESE DRAWINGS ARE FOR ILLUSTRATION PURPOSES ONLY.	The manufacturer would advise an installation with a minimum pitch of 5° for rooflight units to minimize water pooling. Whilst the product can be installed flat without detriment to the warranty, the manufacturer cannot be held responsible for any excessive pooling of water to the surface of the rooflight post installation, if installed without an adequate fall.	THIS DRAWING MUST NOT BE COPIED OR PASSED TO A THIRD PARTY WITHOUT WRITTEN CONSENT FROM THE MANUFACTURER.	CHECKED DATE DRAWN D. PUGH DATE 15-12-2015	TOLERANCE UNLESS OTHERWISE STATED ±5	MATERIAL ALUMINIUM + GLASS	FINISH POLYESTER POWDER COATING COLOUR T.B.C.	STERLINGBUILD LTD. Unit 14, Barnfield Road, Folkestone, Kent CT19 5SU Telephone 01304 892346 E-mail enquiries@sterlingbuild.co.uk		FIXED DOUBLE GLAZED MULTI SECTION FLATGLASS	DRAWING N°: RG-80-200 SHEET 1 OF 1	REV
	DIMENSIONS IN MM		SCALE 1:2 & 1:10 @ A1	REV	AMENDMENTS	SIGNED	CHECKED	DATE				
	TITLE: FIXED DOUBLE GLAZED MULTI SECTION FLATGLASS		A1	REV	AMENDMENTS	SIGNED	CHECKED	DATE				