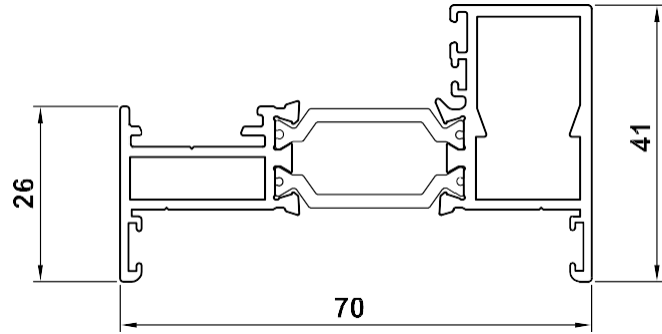
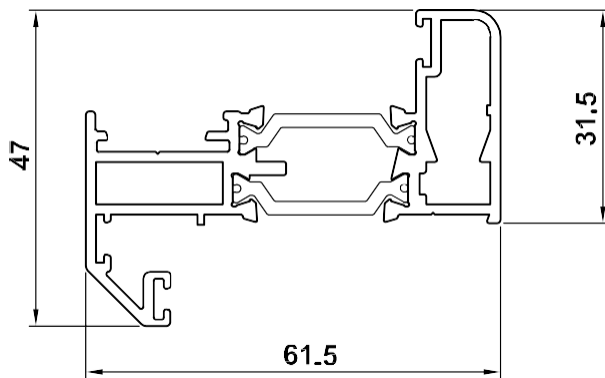


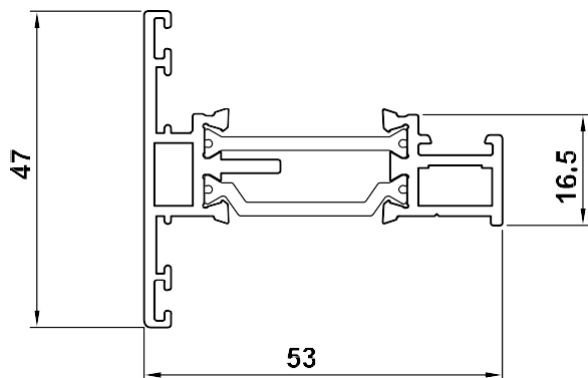
**ALUMINIUM CASEMENT WINDOW MAIN PROFILES
 WINDOW SYSTEMS 1 & 2 CONTEMPORARY**



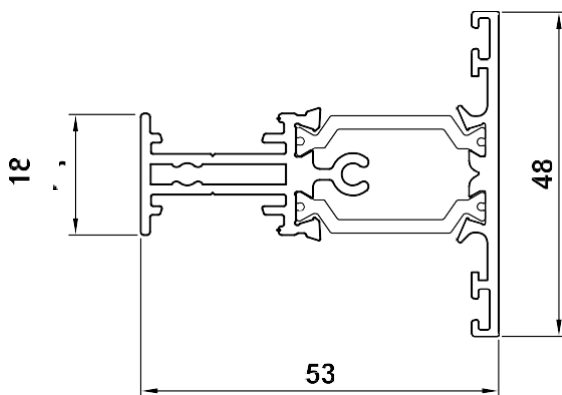
ZSB 169
Outer Frame



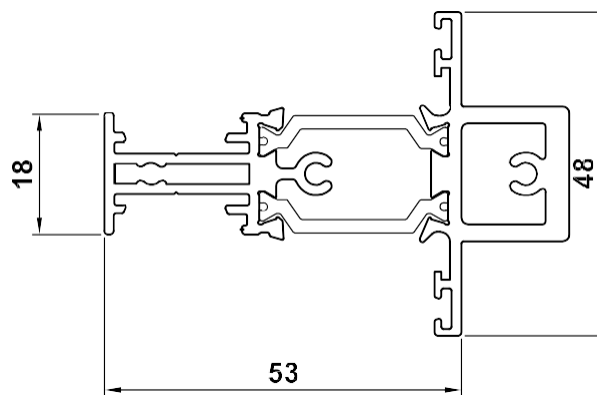
ETC321
Externally Glazed Sash



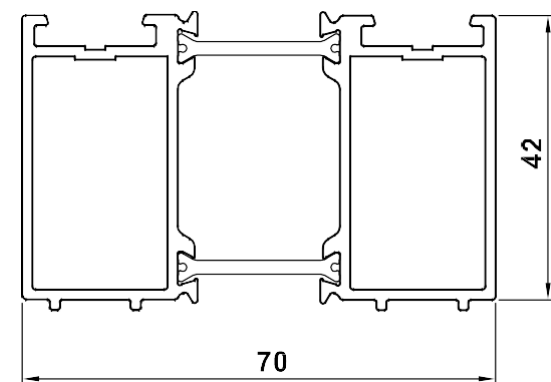
ETC324N
Internally Glazed Sash



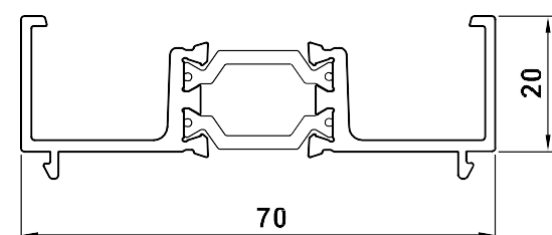
ETC333
T-Transom/Mullion



ETC336
T-Transom/Mullion

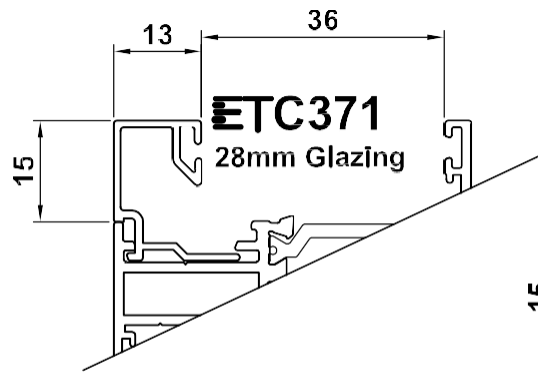


DV515
Outer Frame Extension

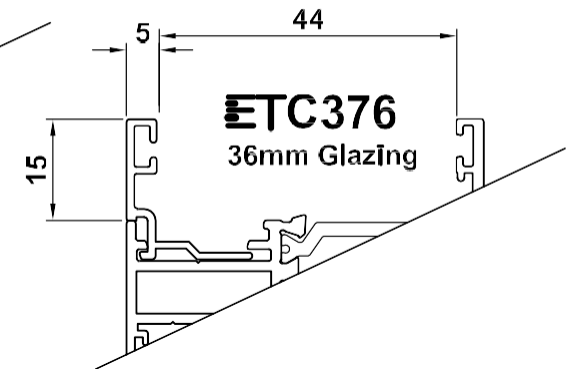


DV559
Outer Frame Extension

**Bead Options for:
 externally glazed sashes (T-sashes)
 externally and internally glazed fixed lights**

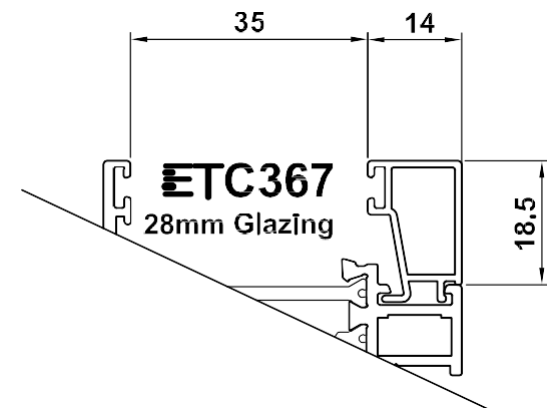


ETC371
28mm Glazing



ETC376
36mm Glazing

**Bead Options for:
 Internally glazed sashes (T-sashes)**



ETC367
28mm Glazing

Customade (UK) Limited
Oldend Hall, Oldends Lane, Stonehouse,
Gloucestershire, GL10 3RQ Phone: 01453 826884

Aluminium Direct Fax: 01453 827801 E-mail Orders: ali.scheduler@customade.co.uk

REAL