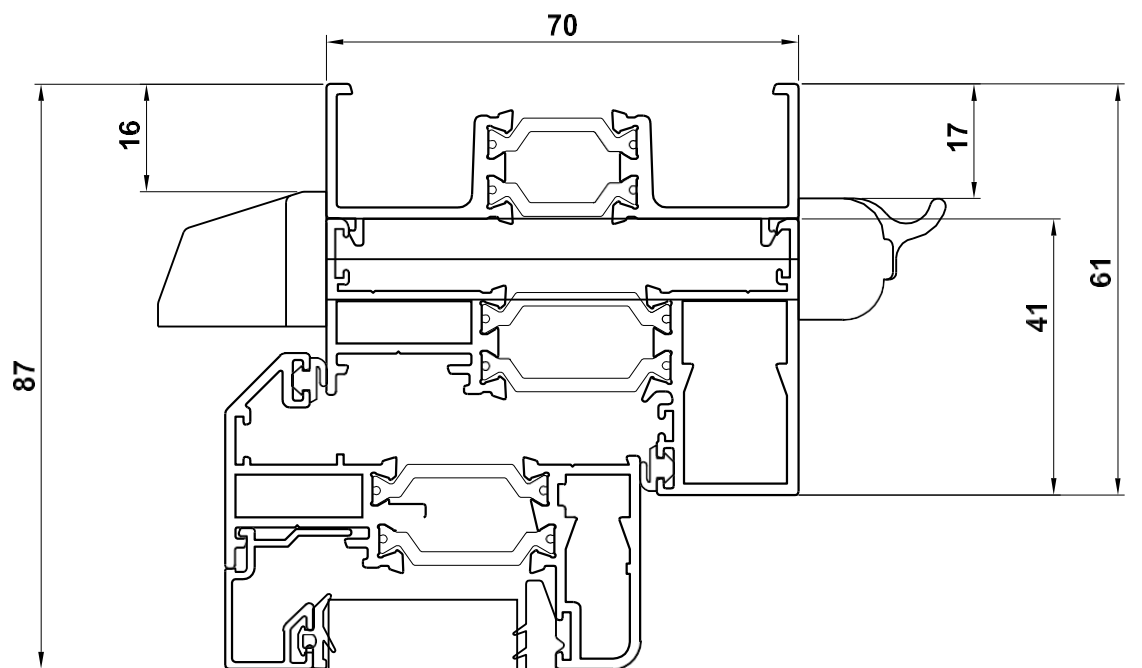
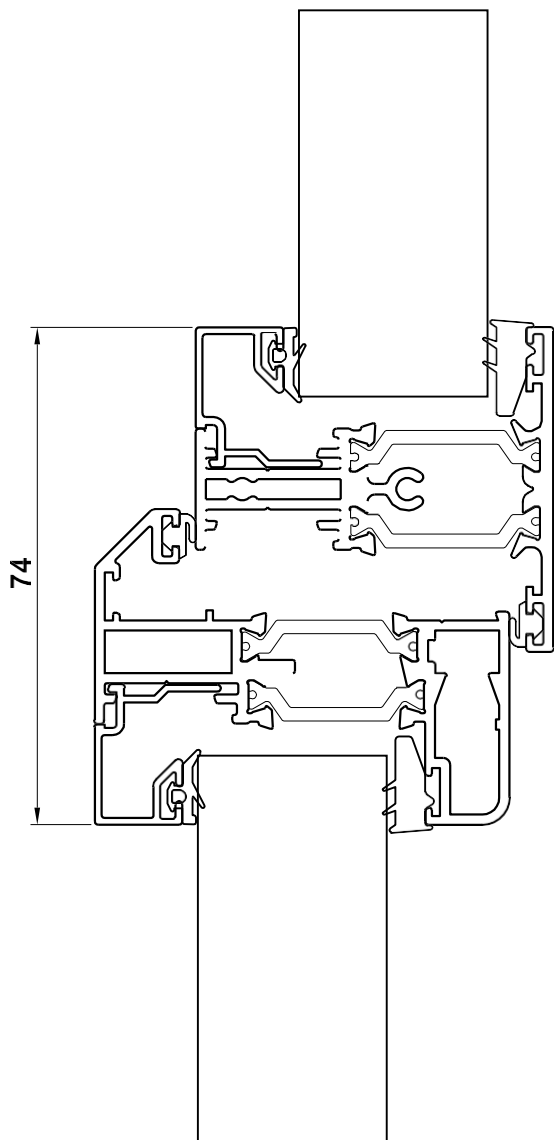
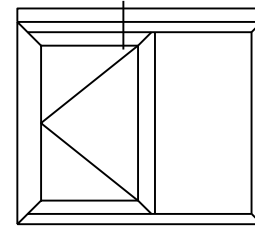
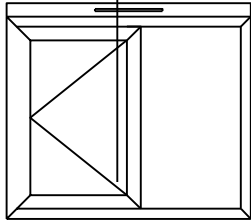


**WINDOW SYSTEM 2 ASSEMBLY DRAWINGS**  
**CONTEMPORARY FRAME EXTERNALLY GLAZED**



- ZSB169** - Outer Frame
- ETC321N** - Z-Sash
- ETC333** - T-Transom/Mullion
- ETC371** - 28mm Glazing
- ETC158N** - 190mm Sill
- DV559** - Outer Frame Extension

