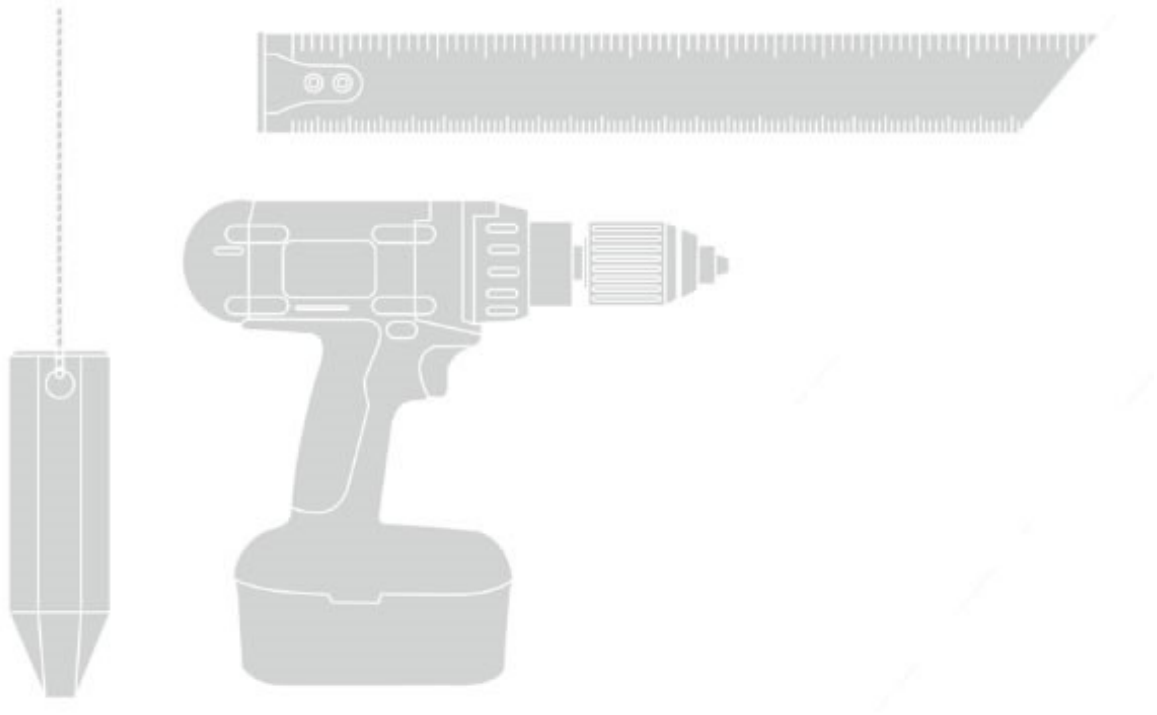
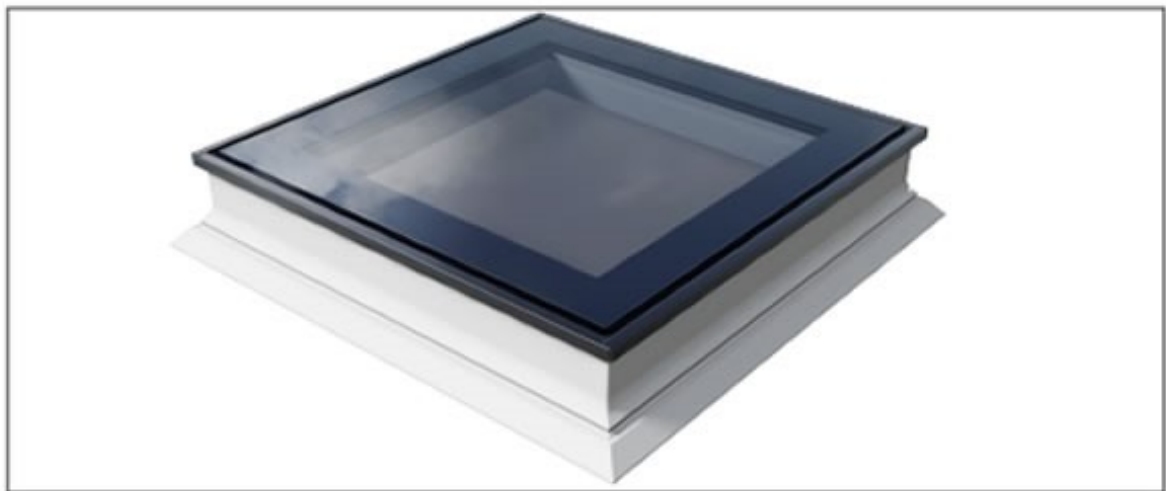
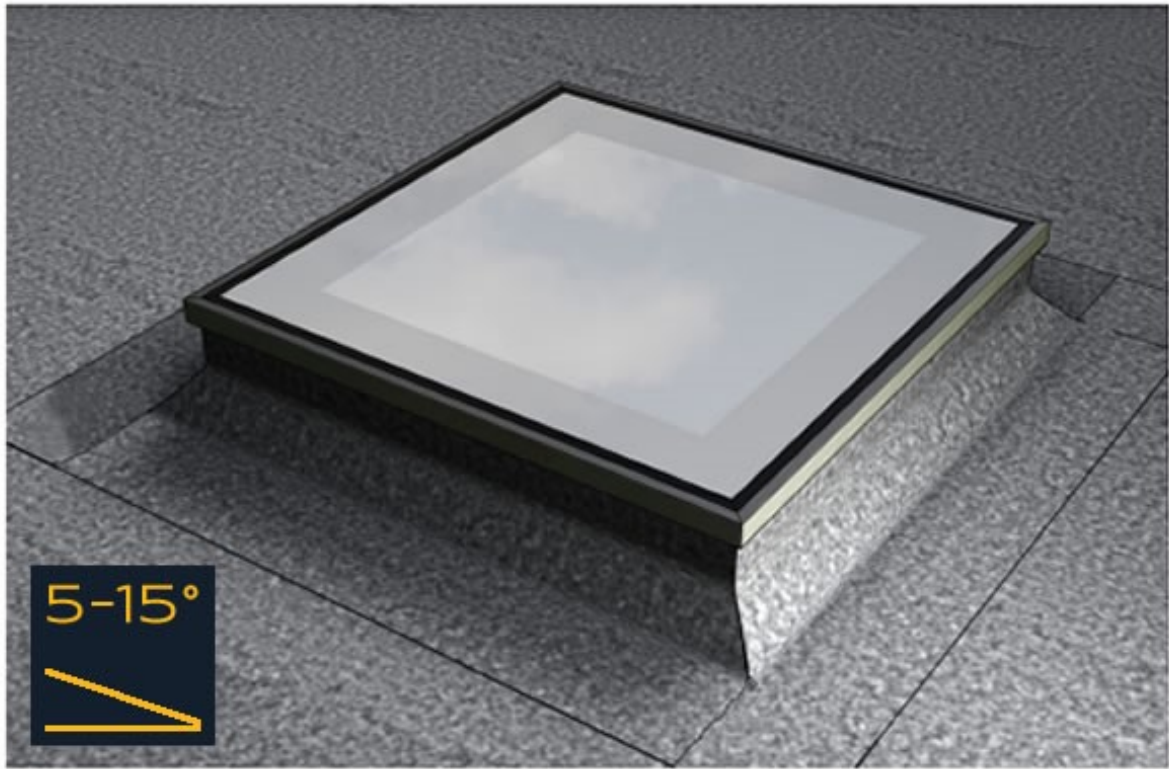


ECO⁺ FLAT ROOFLIGHTS INSTALLATION GUIDE



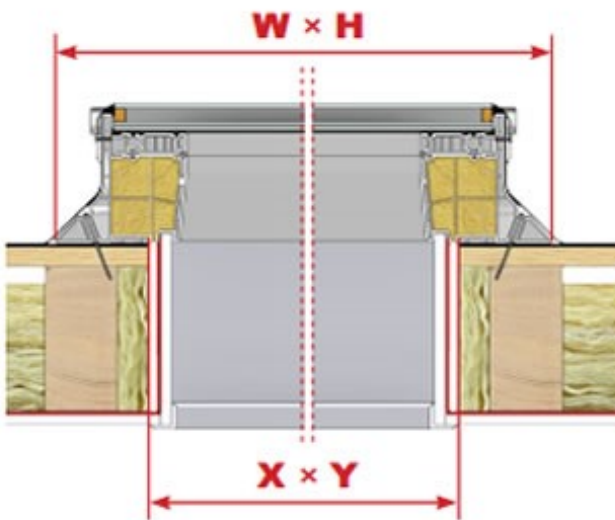
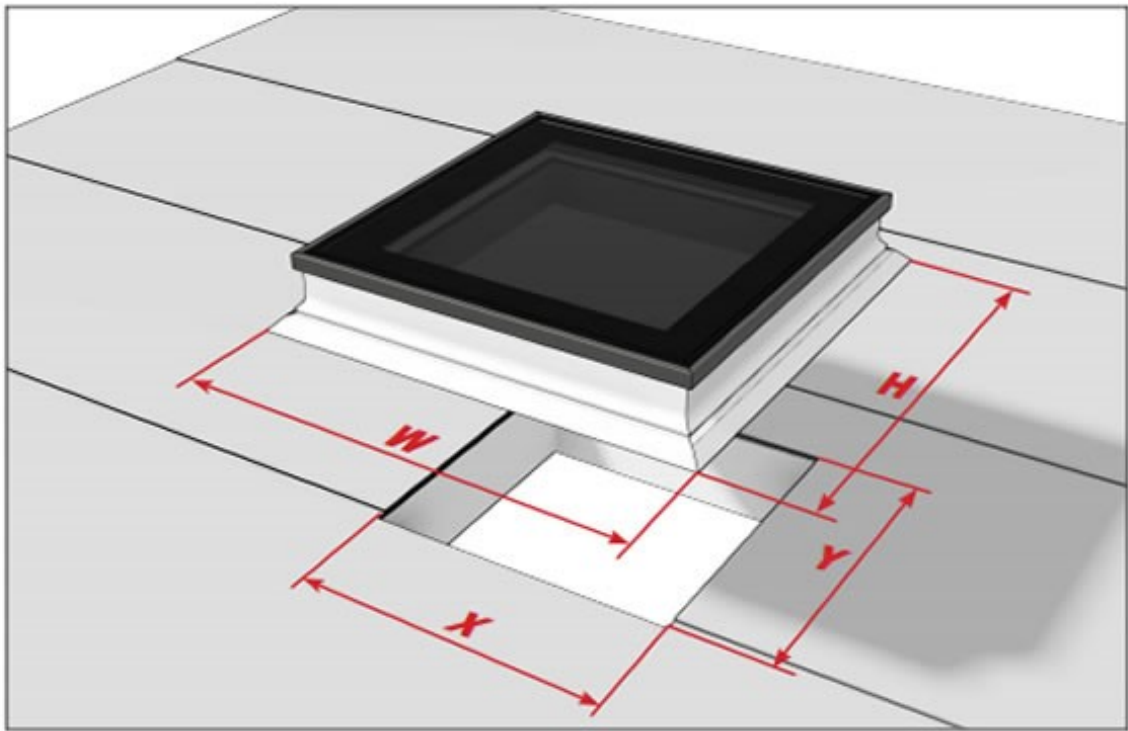
ECO+ PRODUCTS are EXCLUSIVE TO  **Sterlingbuild**



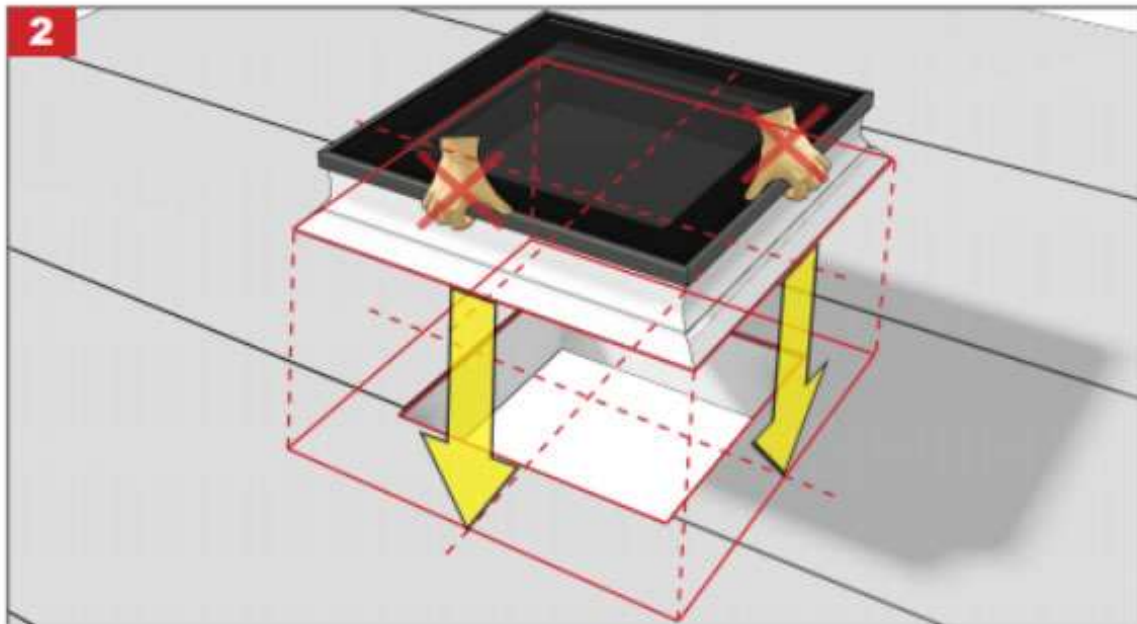
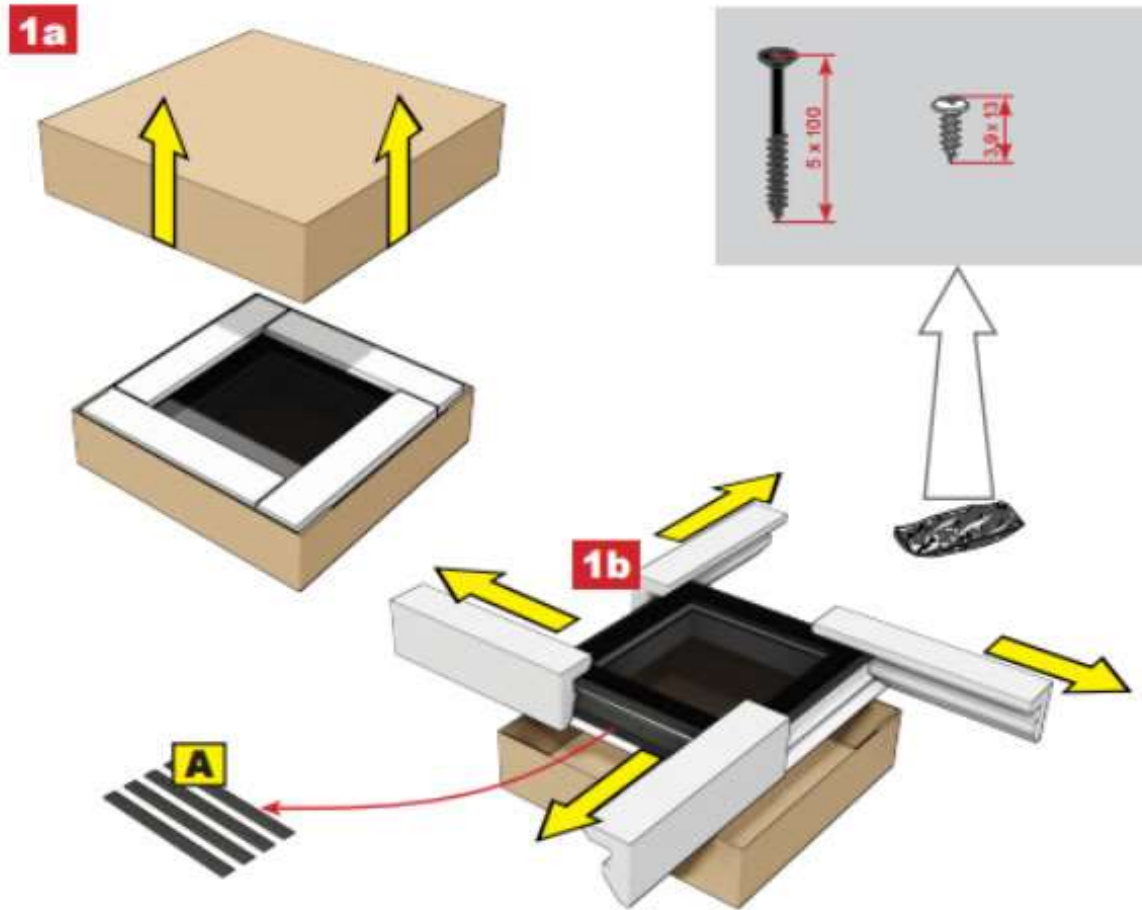
PLEASE NOTE: smaller size ECO+ ROOFLIGHTS can be installed on roof pitches between 2-15°.

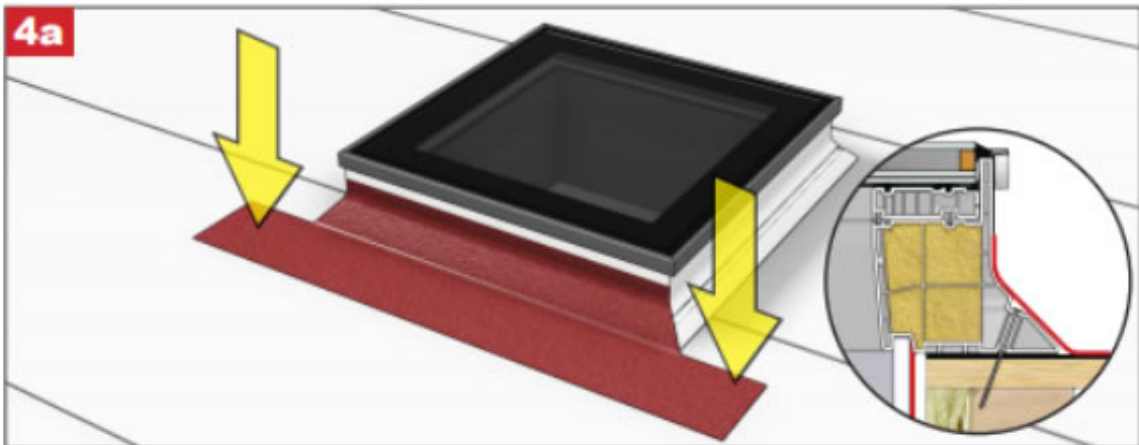
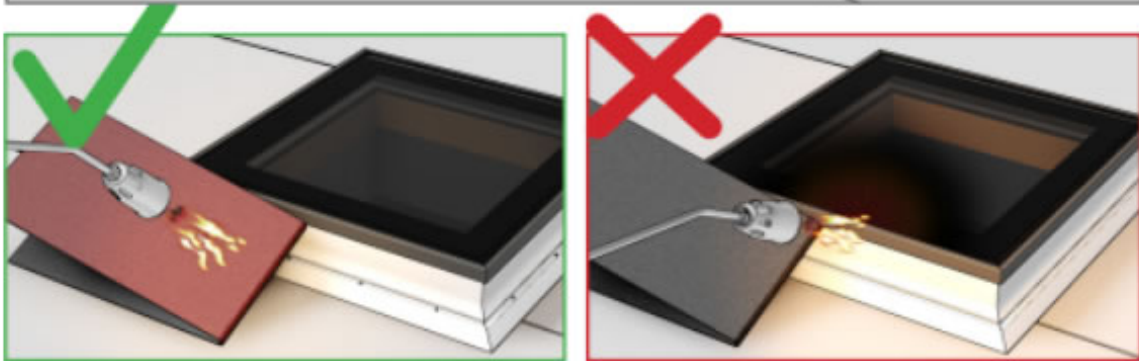
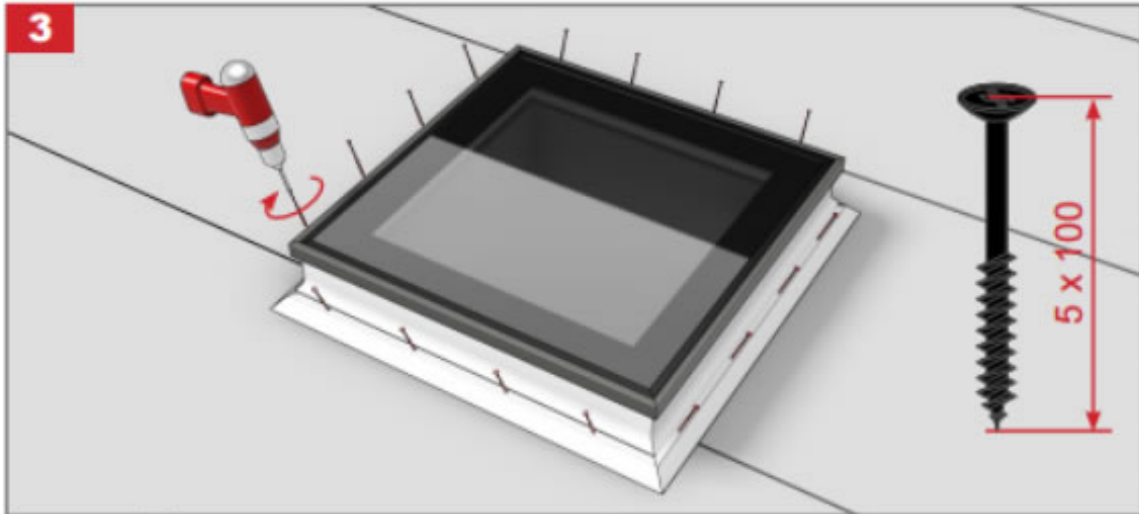
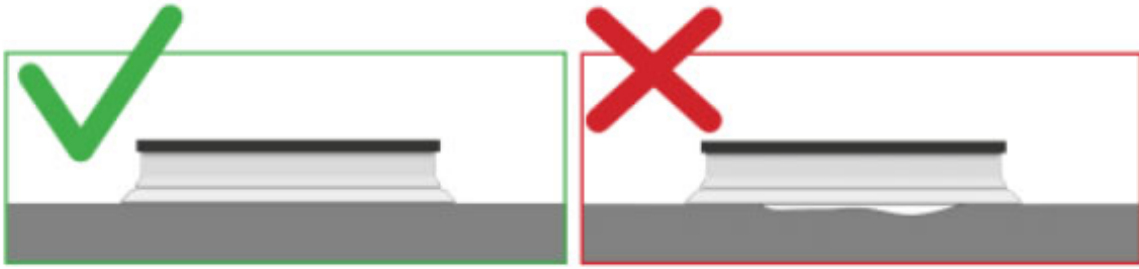
We recommend installing larger size ROOFLIGHTS on roofs with a pitch between 5° and 15°.

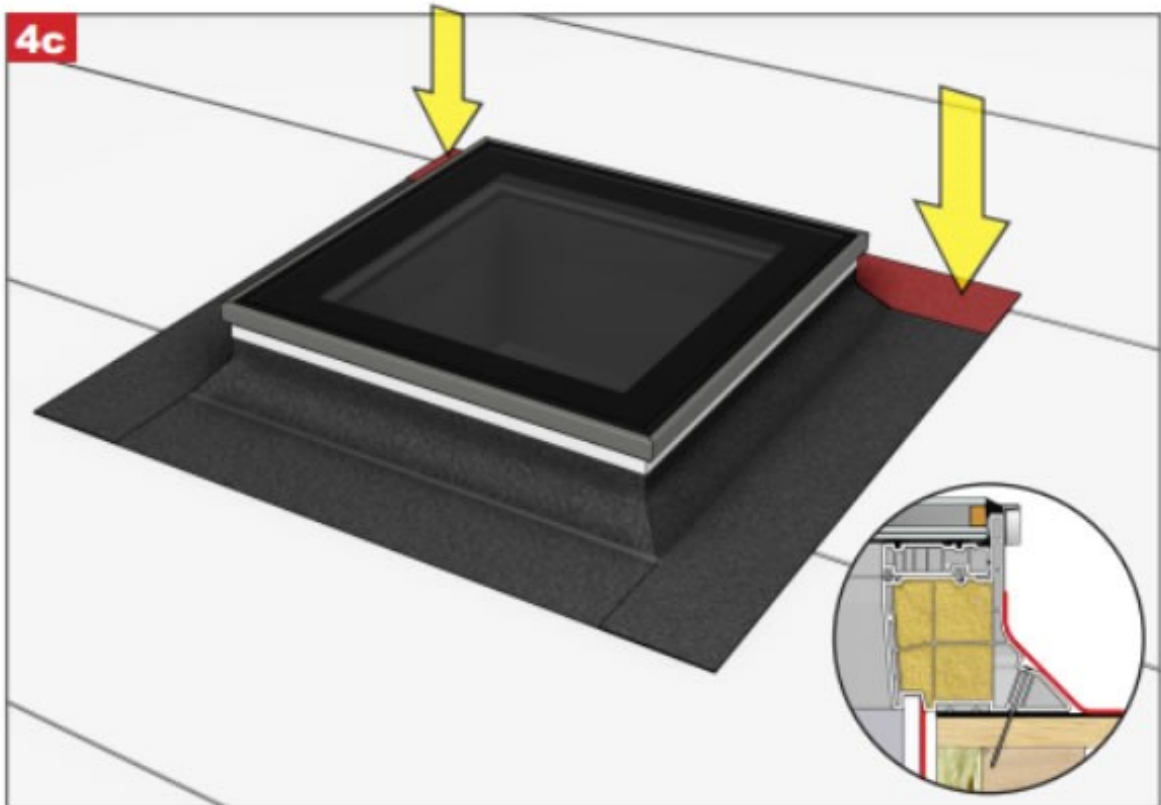
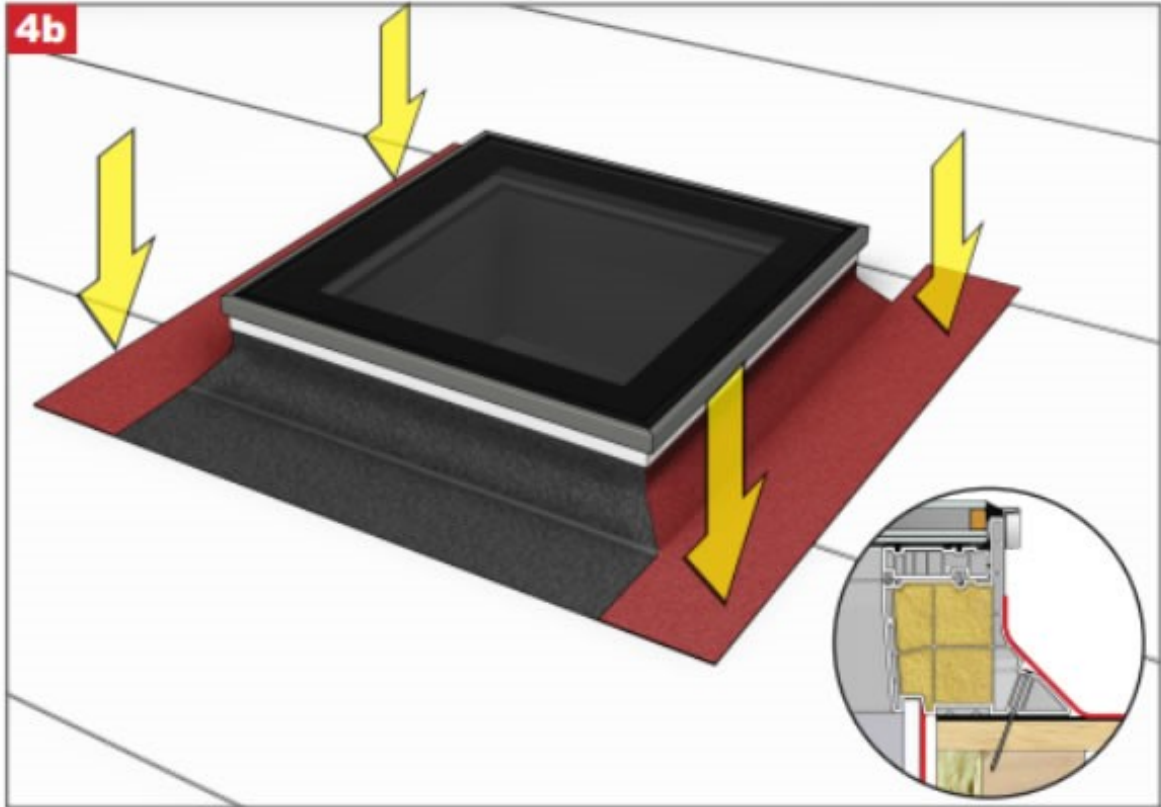
ECO+ PRODUCTS are EXCLUSIVE TO  **Sterlingbuild**

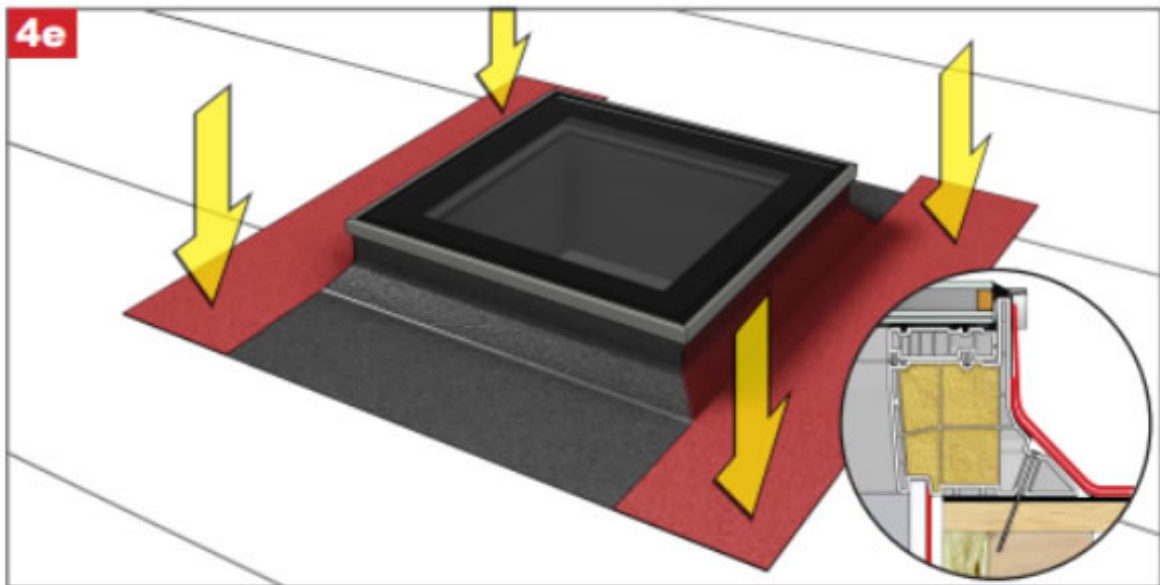
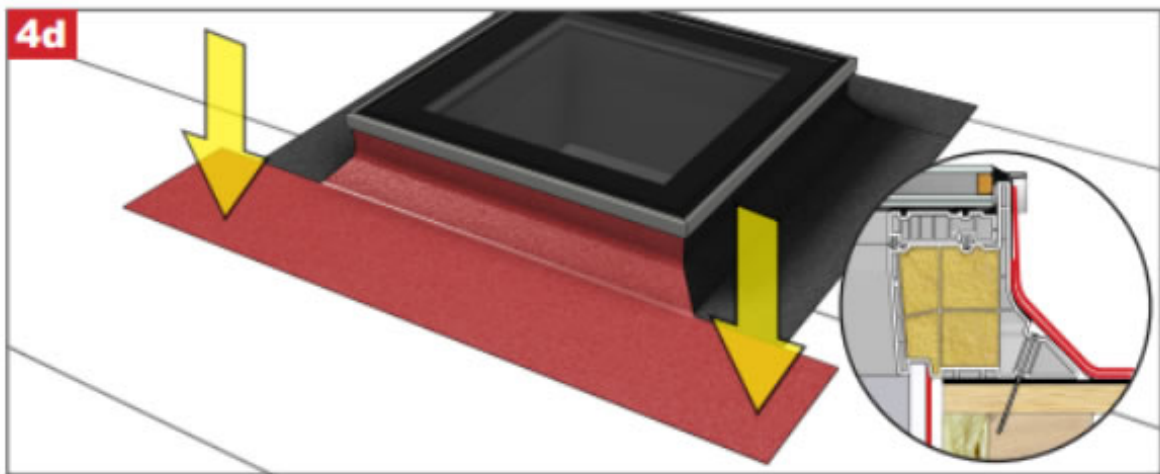
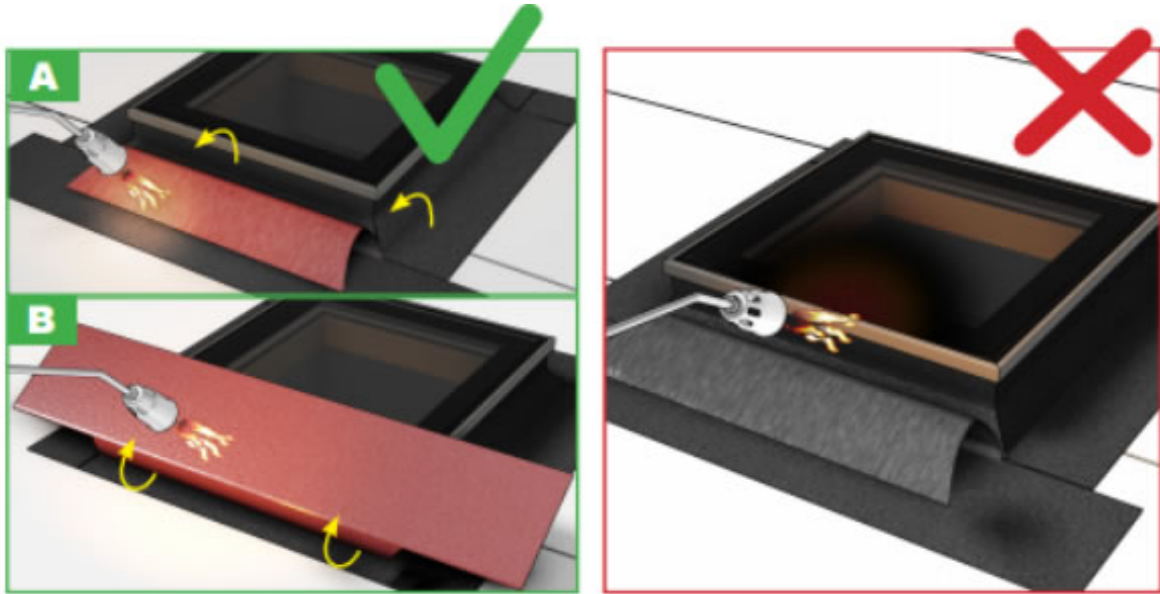


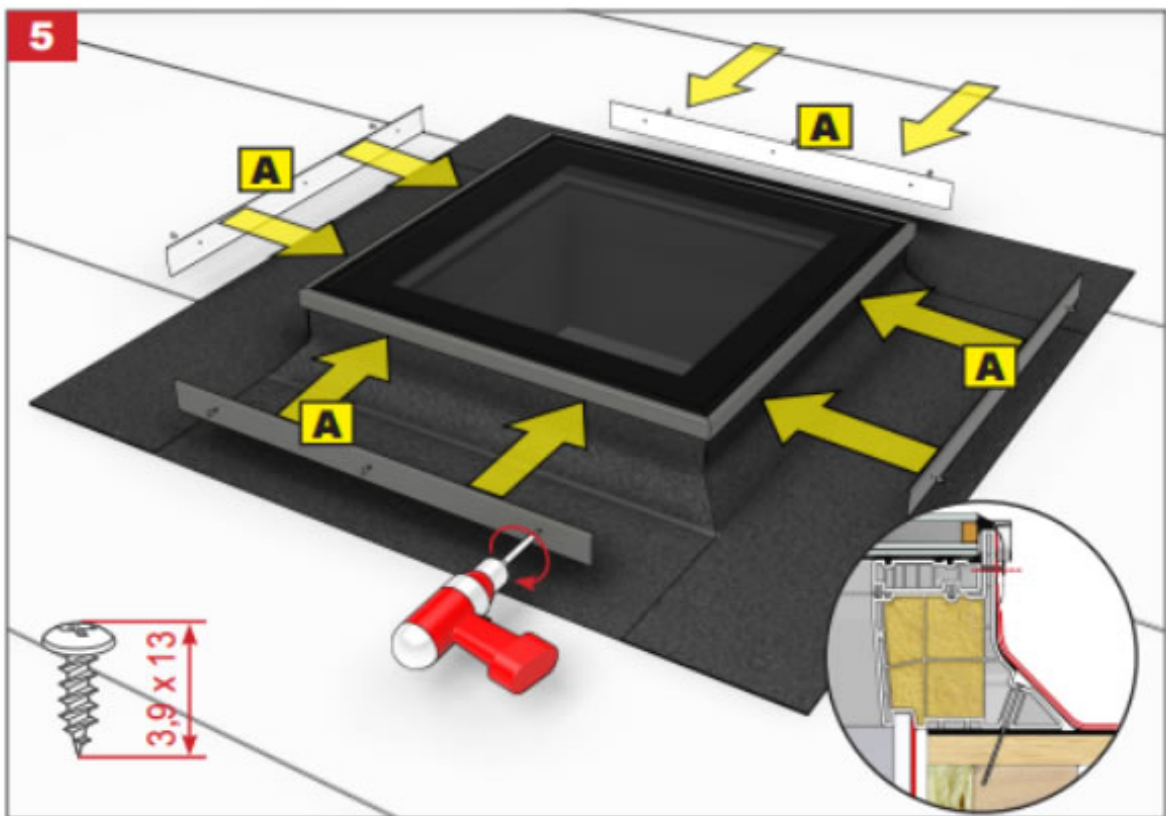
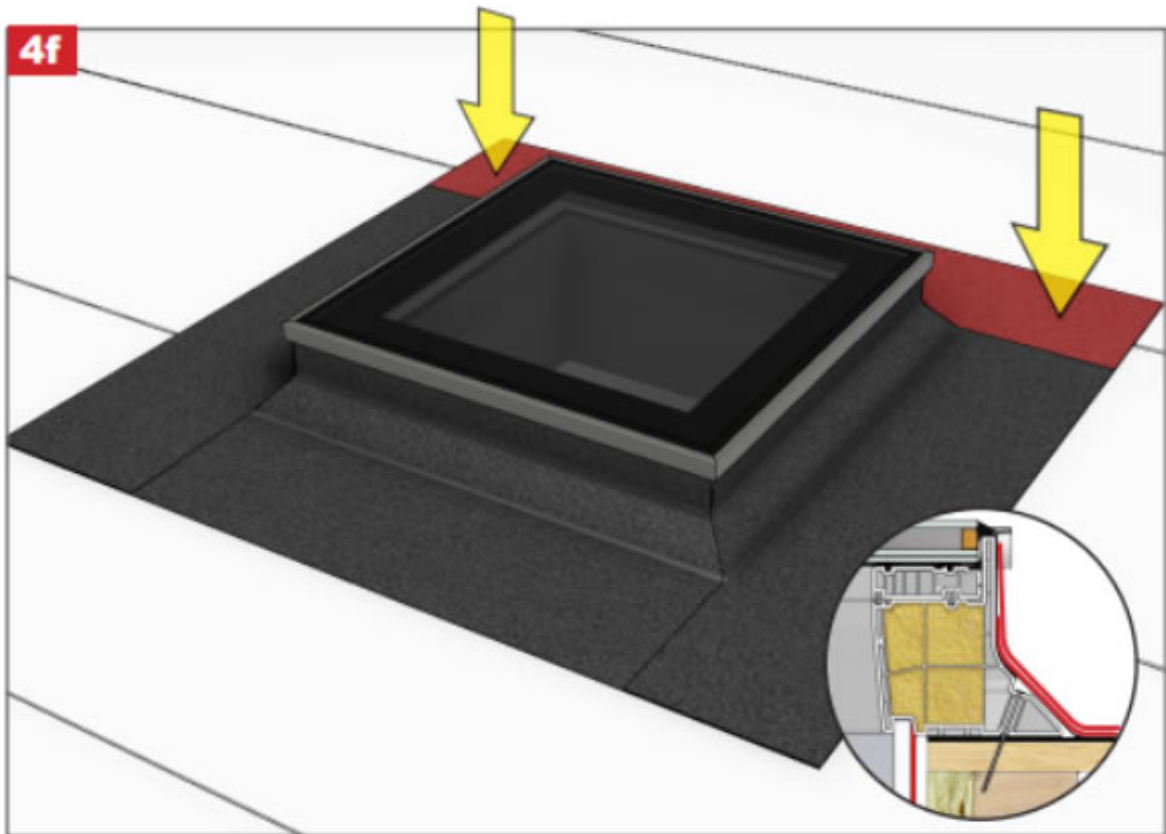
PGX A1	X	Y	W	H
60 x 60	600	600	799	799
60 x 90	600	900	799	1099
70 x 70	700	700	899	899
80 x 80	800	800	999	999
90 x 90	900	900	1099	1099
90 x 120	900	1200	1099	1399
100 x 100	1000	1000	1199	1199
100 x 150	1000	1500	1199	1699
120 x 120	1200	1200	1399	1399
140 x 140	1400	1400	1599	1599
120 x 220	1200	2200	1399	2399













THE MANUFACTURER & SELLER SHALL BEAR NO LIABILITY FOR FAILURE TO COMPLY WITH THE APPLICABLE LAWS, BUILDING CODES AND SAFETY REQUIREMENTS BY THE USER OF THE PRODUCT, ARCHITECT, FITTER OR OWNER OF THE BUILDING.

© STERLINGBUILD LTD, 20161020

ECO+ PRODUCTS ARE EXCLUSIVE TO  **Sterlingbuild**

ECO⁺ CHOSEN FOR YOU

ABOUT THE ECO+ BRAND

ECO+ IS BROUGHT TO YOU BY STERLINGBUILD LTD, WHO HAVE BEEN SELLING ROOF WINDOWS, SKYLIGHTS & ROOFLIGHTS SINCE 2006. NOW MORE VELUX WINDOWS ARE SOLD BY THE STERLINGBUILD WEBSITE THAN ANY OTHER UK WEBSITE.

save money WITHOUT COMPROMISING ON QUALITY

WE'VE PUT OUR EXPERTISE TO GOOD USE BY SOURCING HIGH-QUALITY ROOF WINDOWS, SKYLIGHTS, ROOFLIGHTS & BI-FOLDING DOORS TO SELL AT A MUCH LOWER PRICE THAN THE LEADING BRANDS.

VISIT WWW.STERLINGBUILD.CO.UK TO DISCOVER OTHER PRODUCTS IN THE ECO+ RANGE.



SHARE PHOTOS OF YOUR INSTALLATIONS WITH US OR EMAIL THEM TO enquiries@sterlingbuild.co.uk YOUR COMPANY WILL BE CREDITED WHEN WE USE YOUR PHOTOS.

SEARCH FOR STERLINGBUILD ON



ECO+ PRODUCTS ARE EXCLUSIVE TO  **Sterlingbuild**