

**NOTES**

X No. REQUIRED

**GLASS SPEC:**  
 OUTER : 6mm CLEAR HST TOUGHENED GLASS  
 CAVITY : 20mm ARGON FILLED + WARM EDGE SPACER  
 INNER : 6mm CLEAR HST TOUGHENED GLASS + LOW E COATING  
 SILICONE BONDED

LIGHT TRANSMISSION = 78 %  
 CENTRE PANE U VALUE = 1.1 W/m<sup>2</sup>.K  
 SOLAR G VALUE = 0.63  
 ACOUSTIC REDUCTION = 35 Rw dB  
 WEIGHT = 64 KG/m<sup>2</sup>

ROOFLIGHT ORDER SIZE = OVERALL FINISHED AND WEATHER KERB DIMS.

GLASS BONDED TO FRAME WITH GLAZING SECURITY TAPE.

KERB DETAILS SHOWN INDICATIVE DETAILED DESIGN BY OTHERS.

MIN. FALL SHOWN TO HELP SHED WATER.

PRODUCT U-VALUE = AS LOW AS 1.4 W/m<sup>2</sup>.K (u-values are size dependant)

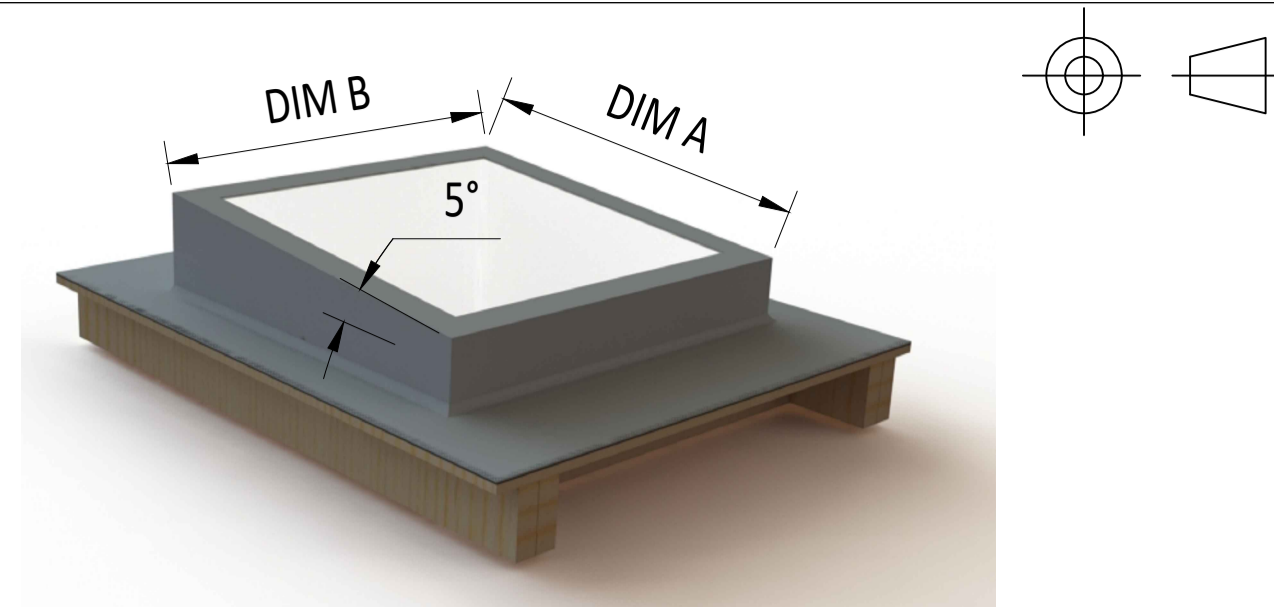
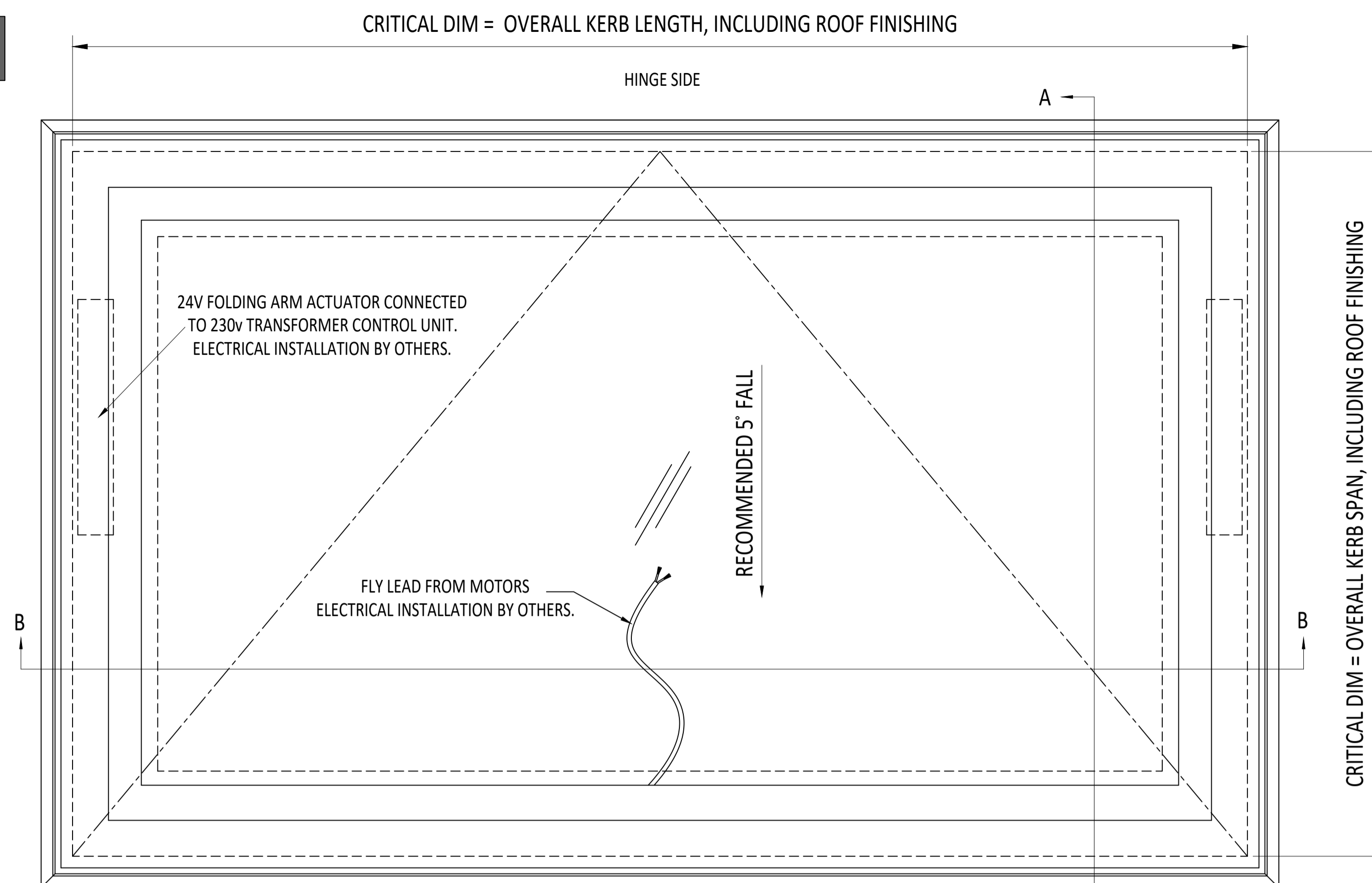
24v DC ACTUATORS CONNECTED TO 230v TRANSFORMER CONTROL PANEL.

ELECTRICAL COMMISSIONING BY OTHERS.

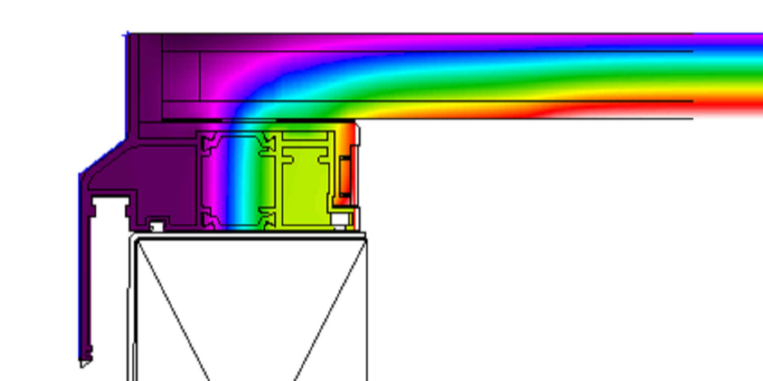
DESIGN LOADS: 750N/m<sup>2</sup> WIND 640N/m<sup>2</sup> SNOW AS STANDARD  
 OTHER LOADS TO BE SPECIFIED BY CLIENT.

MAX. DOWNSLOPE 1300mm. MAX. LENGTH 2900mm.

KERB DETAILS SHOWN INDICATIVE ONLY. DETAILED DESIGN BY OTHERS



3D EXAMPLE OF KERB

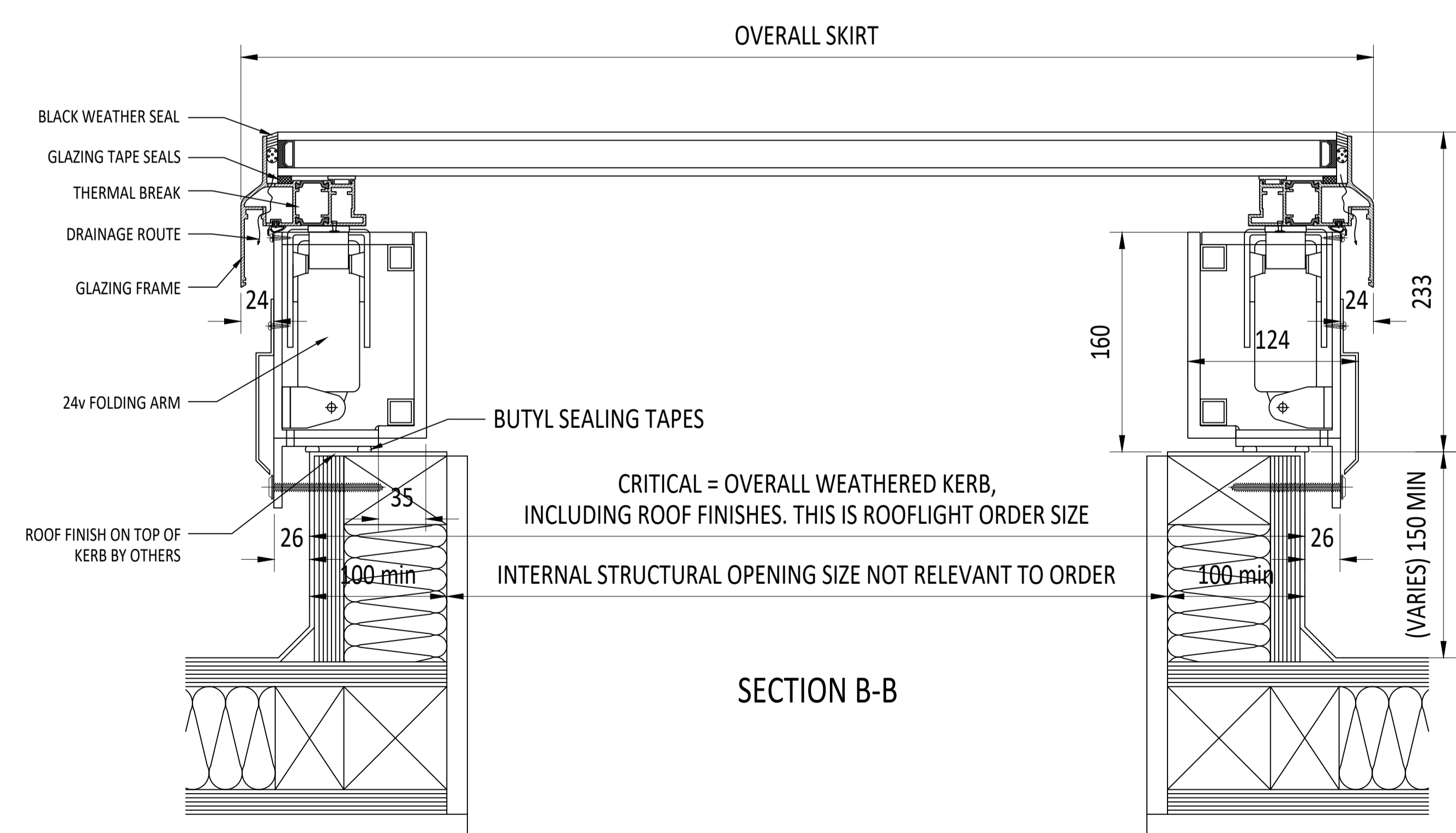
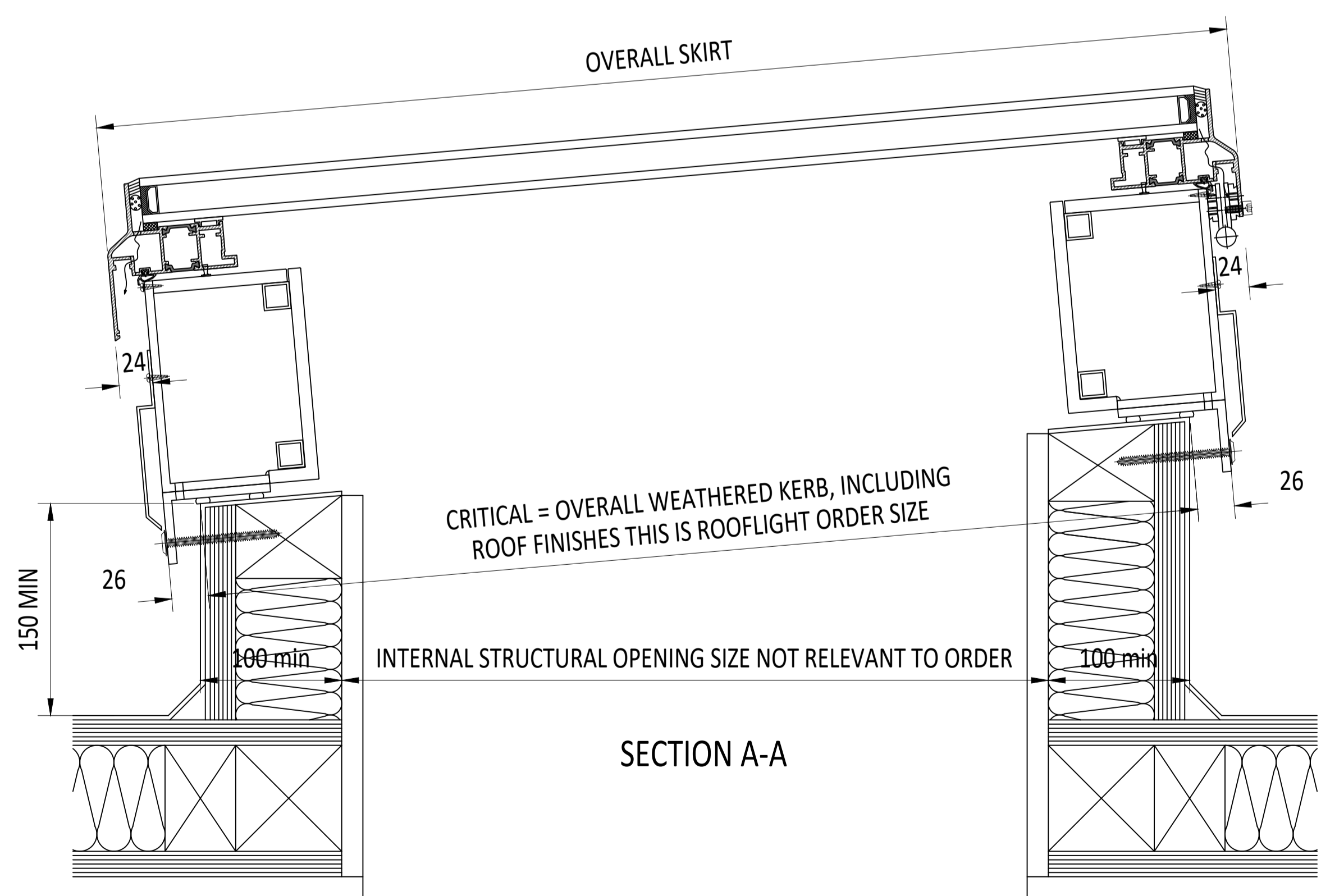


THERMAL IMAGING OF FRAME



VENT 6 CONTROL PANEL

**CDM :HAZARD IDENTIFICATION - HANDLING MATERIALS**  
 BE AWARE OF SHARP EDGES AND CORNERS WHEN HANDLING MATERIALS. MOST EDGES AND CORNERS WILL BE DEBURRED BUT THERE IS STILL A SMALL RISK. WEAR APPROPRIATE PPE REQUIRED FOR THE TASK.  
 THE MHOR 1992 SET OUT A CLEAR RANKING OF MEASURES FOR DEALING WITH RISKS FROM MANUAL HANDLING, THESE ARE:  
 • **FIRST** : AVOID HAZARDOUS MANUAL HANDLING OPERATIONS SO FAR AS IS REASONABLY PRACTICABLE;  
 • **SECOND** : ASSESS ANY HAZARDOUS MANUAL HANDLING OPERATIONS THAT CANNOT BE AVOIDED, AND  
 • **THIRD** : REDUCE THE RISK OF INJURY SO FAR AS IS REASONABLY PRACTICABLE.  
 HAND PROTECTION (MANDATORY) TO: BS EN 388:1994.  
 ROOFLIGHTS MUST ONLY BE INSTALLED BY COMPETENT CONTRACTORS.  
 DANGER OF DAMAGING GLASS IF IT IS WALKED UPON. GLASS IS CLASSED AS NON-FRAGILE BUT SHOULD NOT BE WALKED ON. USE SPREADER BOARDS.  
 REFER TO RISK ASSESSMENT FOR FURTHER DETAILS.



IF IN DOUBT ASK DO NOT SCALE	IT IS THE RESPONSIBILITY OF THE KERB DESIGNER TO ENSURE THE KERB WILL BE STRUCTURALLY ADEQUATE TO HOLD THE ROOFLIGHT. KERBS SHOWN ON ROOFLIGHT DRAWINGS ARE FOR ILLUSTRATION PURPOSES ONLY.	Roofglaze Rooflights would advise an installation with a minimum pitch of 5° for rooflight units to minimize water pooling. Whilst the product can be installed flat without detriment to the warrantee, Roofglaze Rooflights cannot be held responsible for any excessive pooling of water to the surface of the rooflight post installation, if installed without an adequate fall.	THIS DRAWING MUST NOT BE COPIED OR PASSED TO A THIRD PARTY WITHOUT WRITTEN CONSENT FROM ROOFLAZE ROOFLIGHTS LIMITED.	CHECKED	C. MITCHELL	TOLERANCE UNLESS OTHERWISE STATED	±5	MATERIAL	ALUMINIUM + GLASS	FINISH	POLYESTER POWDER COATING RAL T.B.C, 70% GLOSS	REV	AMENDMENTS	SIGNED	CHECKED	DATE	Sterlingbuild Ltd. Unit 14, Barnfield Road, Folkestone, Kent CT19 5SU Telephone 01304 892346 E-mail enquiries@sterlingbuild.co.uk	TITLE:	24v ELECTRIC HINGED FOR ACCESS TOUGH/ TOUGH	DRAWING N°:	A1	RGR-80-20-305	REV
				DATE	28-03-2018		DIMENSIONS IN		MM		SCALE												